



EBMHS-DNET1 & EBMHS-IP-DNET1

Miniature Integration Presence Detector DALI network

Overview



The EBMHS-DNET1 is a combined passive infrared (PIR) motion sensor and photocell designed to be part of a DALI network.

Functioning as a presence detector, the unit returns occupancy data to the DALI network.

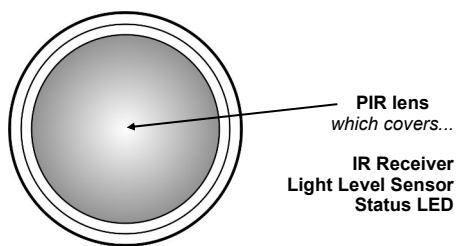
The photocell provides a lux level measurement value to the DALI network.

A selection of fixing clips to allow the unit to be mounted in or to the side of a luminaire are available.

For a copy of the DALI 'Command set', contact CP Electronics' technical support.

Features

Sensor head



PIR Sensor

Detects movement within the unit's detection range, allowing load control in response to changes in occupancy.

IR Receiver

Receives control and programming commands from an IR (infrared) handset.

Light Level Sensor

Measures the overall light level in the detection area

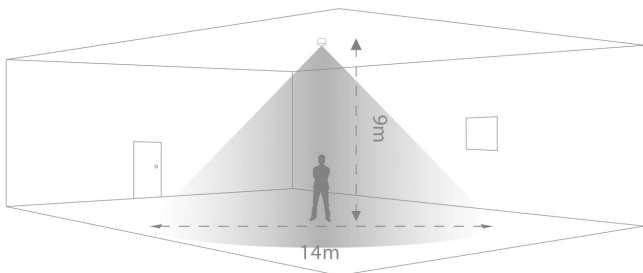
Status LEDs

The LED flashes **Red** to indicate the following:

Walk Test LED active	when movement is detected
Valid setting received	

Detection diagram

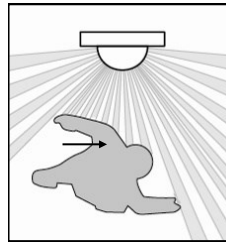
Range



high < sensitivity > low

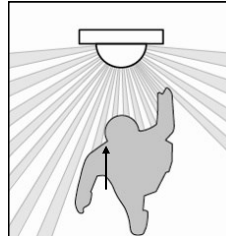
Note: illustration shows an average of the walk across

Walk across



Height	Range Diameter
9m	14m
7m	13m
5m	11m
3m	8m

Walk towards



Height	Range Diameter
9m	7m
7m	7m
5m	7m
3m	5m

Installation EBMHS-DNET1

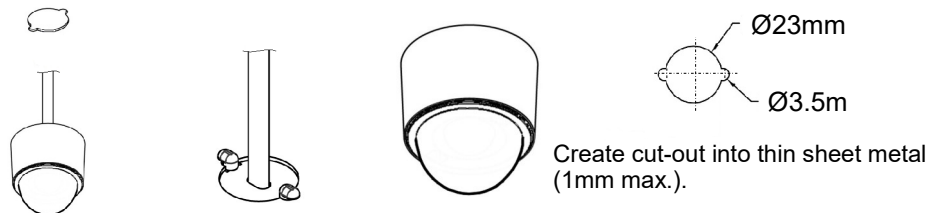
Choosing a Suitable Location

The detector should be sited so that the occupants of the room fall inside the detection pattern shown on page 1, at a recommended ceiling height of 2.8m. Note that the lower the sensor is installed the smaller the detection range will be, subject to the parameters shown on the detection diagram.

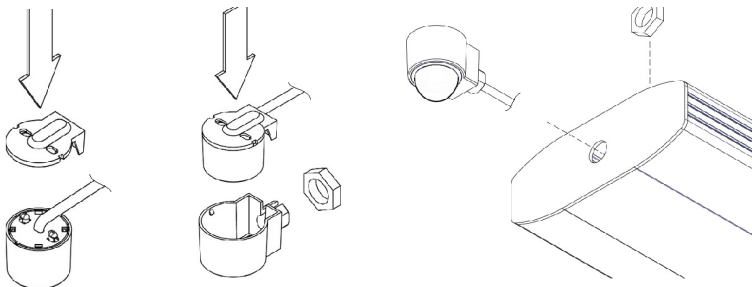
- Avoid direct sunlight entering the sensor.
- Do not site within 1m of forced air heating or ventilation.
- Do not fix to a vibrating surface.
- Do not exceed maximum length of cable (200m) on data bus.
- Do not exceed maximum bus loading (200mA).

Surface mounting

Use the lugs on rear of detector to secure into thin sheet metal (1mm max.).

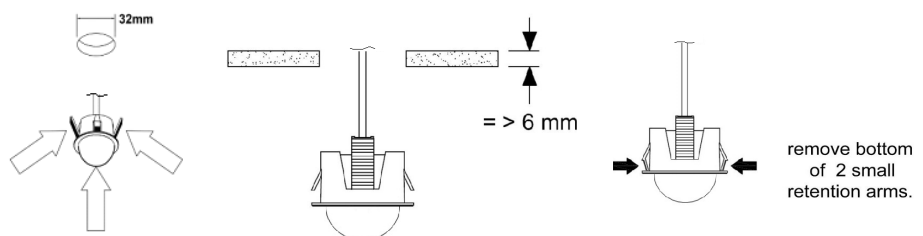


Side mounting

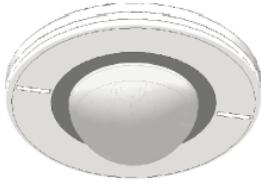


Flush mounting

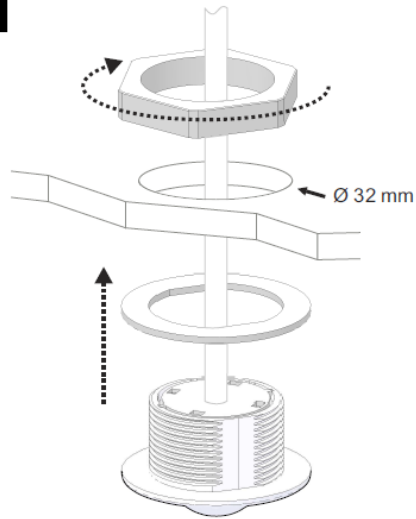
The product can be mounted using the flush mount ring as shown. If flush mounting in a material that is greater than 6mm thick, remove bottom of retention arms with side cutters. A 32mm diameter hole will be required to mount the flush mount ring.



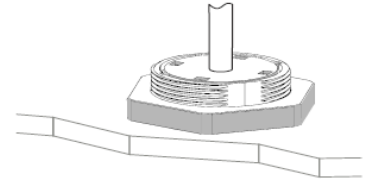
Flush fixing | Einbau Montage |
Montaje a ras | Montagem encastrada |
Fixation encastrée | Montaggio a filo



1

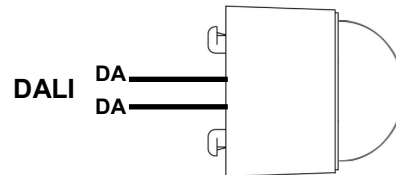


2



Wiring

The EBMHS-DNET1 supplied with two 1m wires to connect to the DALI network. The device is designed to operate correctly with reversed polarity.



Technical data

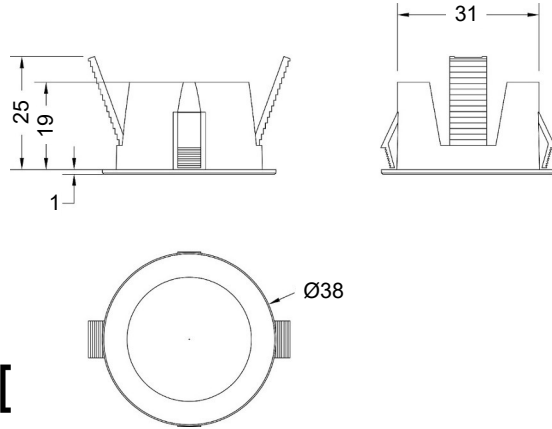
Dimensions	See diagrams opposite
Weight	0.10kg
Supply Voltage	9.5VDC—22.5VDC via DALI
Supply Current	8mA
Temperature	-10°C to 35°C
Humidity	5 to 95% non-condensing
Material (casing)	Flame retardant ABS and PC/ABS
Type	Class 2
IP rating	EBMHS-DNET1 IP40 EBMHS-IP-DNET1 P65 (BS EN 60598)

Compliance EMC-2014/30/EU
LVD-2014/35/EU

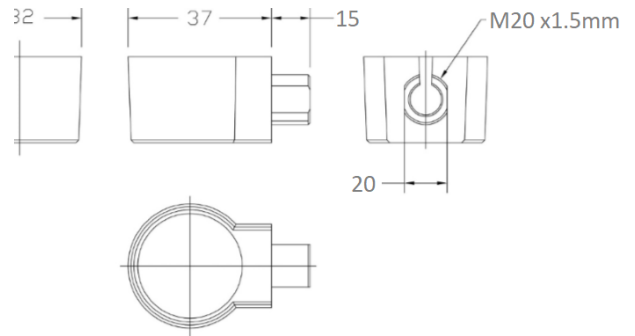
For further compliance information visit
www.cpelectronics.co.uk/compliance



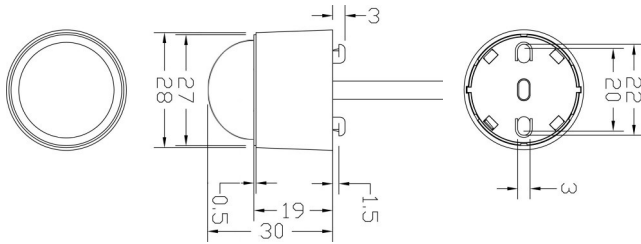
EBMPIR-FRW



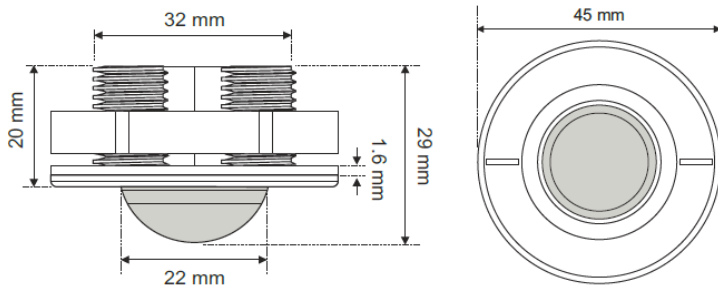
EBMPIR-ECW



EBMHS-DNET1



EBMHS-IP-DNET1



Part numbers

	Part number	Description
Detector	EBMHS-DNET1	Miniature integration presence detector
	EBMHS-IP-DNET1	Miniature integration presence detector IP
Brackets	EBMPIR-ECW	Mini PIR head end cap - white
	EBMPIR-FRW	Mini PIR head flush ring - white

IMPORTANT NOTICE!

This device should be installed by a qualified electrician in accordance with the latest edition of the IEE Wiring Regulations and any applicable Building Regulations.



CP Electronics - a business unit of
Legrand Electric Limited
Brent Crescent, London NW10 7XR UK
Tel: +44 (0)333 900 0671
Fax: +44 (0)333 900 0674

A brand of **legrand**
www.cpelectronics.co.uk
enquiry@cpelectronics.co.uk